

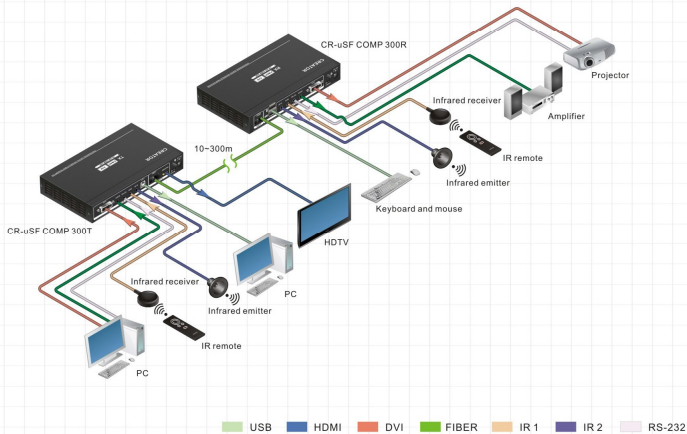
# CR-uSF DVI 300T

## DVI Single Core Fiber Video Input

### Specifications

Parameter name	CR-uSF COMP 300T
Connector	SC connector
Fiber type	Single mode/multiple mode (optional)
Wavelength	Single mode: 1310~1620 nm/multiple mode: 850 nm (optional)
Interface bandwidth	Forward: 6.25 G bps Reverse: 3.125 G bps
Clock jitter	<0.15 Tbit
Rise time	<0.3Tbit (20%~80%)
Fall time	<0.3Tbit (20%~80%)
Recommended max input/output distance	Om3 multimode fiber: < 300 m, in 1920x1080@60Hz; Single-mode fiber: 2~20 km, in 1920x1080@60Hz
Power	Power adapter, 12VDC/2A
Maximum power	MAX 5W
Temperature	Store and work temperature: -20°C ~ + 70°C
Humidity	Store and work temperature: 10% ~ 90%
Mean time of failure	30,000 hours
Quality assurance	One year free warranty

### System diagram



### Overview

CR-uSF DVI 300T is a single-core multimode optical fiber input which support high resolution HDMI/DVI signals. It can convert HDMI/DVI video signals into optical fiber signals, and can be used with single-core optical fiber transmission receivers or fiber optical matrix; It also support RS-232, IR passthrough and USB KVM signals.

It is widely used in panel display and large videowall display, advertising project, automatic industrial control, medical equipment, security monitoring and multi-media education and other fields.

### Feature

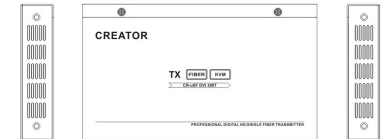
- Support high resolution of HDMI/DVI signal transmission by single core multimode fiber.
- With HDMI-Monitor video output function.
- Support transmission of synchronous Audio signals, IR signals and RS-232 signals.
- Support refresh EDID.
- Transmission distance up to 300M.
- Support KVM function.



CR-uSF DVI 300T

### Specifications

Parameter name	CR-uSF DVI 300T
Protocol	DVI1.0,HDMI1.3a,HDCP1.3
Pixel bandwidth	165MHz, full digital
Interface bandwidth	6.75Gbps, full digital( each color is 2.25Gbps)
Maximum support resolution	PC: 1920x1200@60_24bit deep color; HDTV: 1920x1080P@60_36bit deep color
Clock jitter	<0.15 Tbit
Rise time	<0.3Tbit (20%~80%)
Fall time	<0.3Tbit (20%~80%)
Signal type	DVI1.0/DVI-D in the HDMI1.3a specification/ HDMI full digital T.M.D.S signal
Connector	DVI-D
Signal strength	T.M.D.S. 3.3V pp
Min/Max level	T.M.D.S. 2.9V/3.3V
Impedance	50 Ω
EDID input	Optional default EDID(support terminal EDID mapping to the input)
Max DC offset error	+/-15mV
Recommended max input distance	Less than 10 meters, in the 1920x1080P@60Hz(recommended use certified HDMI/DVI special wire, such as Molex TX wire)



Size(mm):  
180(L)×105(W)×25(H)

Specifications

Parameter name	CR-uSF DVI 300T	
Audio signal input	Connector	3.5mm stereo audio socket
	Gain	0 dB
	Frequency response	20 Hz ~ 20 kHz,
	Total harmonic distortion + noise	0.01% @ 1 kHz (rated voltage)
	Signal/Noise(S/N)	>80dB at Vin=0 V
	Stereo resolution	>80dB @ 1 kHz
	Common Mode Rejection Ratio(CMRR)	>75dB @: 20 Hz ~ 20 kHz
	Signal type	Stereo audio
	Impedance	Input: >10 kΩ Output: 50Ω
	Max Level	3Vpp
	Gain error	±0.1dB @20 Hz ~ 20 kHz
	Connector	Input: 3.5mm stereo audio socket Output: 3.5mm stereo audio socket
	Signal type	Input: digital; Output: digital
	IR	Output level type
Wavelength		850nm
Input level carrier frequency		38KHz
Connector		3.5mm stereo audio socket
RS-232	Signal type	Digital
	Level type	RS-232 level
	Signal direction	Two-way communication
	Baud rate	9600bps
	Date bit	8 bits
	Stop bit	1 bit
	Correction bit	None
	Flow control	None
	Level delay	500 ns
	Peak level	+/-15V
USB	Connector	Type A female socket
	Signal type	USB signal
Fiber output	Protocol	USB1.1
	Fiber output connector	SC connector
	Fiber type	Multimode/Single Mode(optional)
	Wavelength	Multimode 850nm/Single Mode: 1310 ~1620nm(optional)
	Connector bandwidth	Positive: 6.25Gbps; Reverse: 3.125GbpsV
	Clock jitter	<0.15 Tbit
	Rise time	<0.3Tbit (20%~80%)
	Fall time	<0.3Tbit (20%~80%)
Max output distance	Om3 multimode fiber: no less than 300M at 1920x1080P@60Hz; Single mode fiber: 2~20KM at 1920x1080@60Hz	

Specifications

Parameter name	CR-uSF DVI 300T
Power supply	Power adapter, 12V/DC2A
Max power consumpti	MAX 6W
Temperature	Storage, use: -20°C ~ +70°C
Humidity	Storage, use: 10%~90%
Mean time between failures	30000 hours
The warranty	1 year free warranty

System diagram

