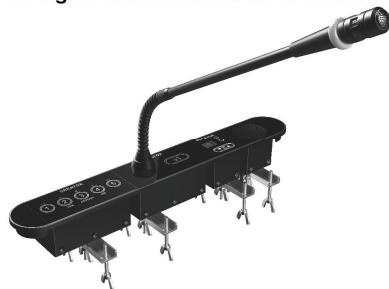


# CR-CAT5202/04C1, CR-CAT5202/04C2, CR-CAT5206CH, CR-CAT5207SP, CR-CAT5BOX02/04

## Full digital flush mounted CAT5 discussion unit



### Product overview

CR-CAT5BOX02/04 is a fully digital conference system which supports the aviation cable to be "hand in hand" connected. It supports to connect maximum 2 sets flush mounted connection box with CAT5 interface. CR-CAT5202/04C1 is a discussion unit match for cat5 flush mounted connection box with CAT5 interface. CR-CAT5202/04C2 is a voting unit match for flush mounted connection box with CAT5 interface. CR-CAT5206CH is a 31+1 simultaneous interpreter unit match for flush mounted connection box with CAT5 interface. CR-CAT5207SP is a speaker match for flush mounted connection box with CAT5 interface.



Flush mounted CAT5 discussion chairman unit CR-CAT5202C1

Flush mounted CAT5 discussion delegate unit CR-CAT5204C1



Flush mounted CAT5 voting chairman unit CR-CAT5202C2

Flush mounted CAT5 voting delegate unit CR-CAT5204C2



Flush mounted CAT5 channel selection unit CR-CAT5206CH

Flush mounted CAT5 speaker CR-CAT5207SP

Flush mounted CAT5 connection box CR-CAT5BOX02/04

### Features

- Support aviation cable daisy-chain connection; Support hot-swap function.
- The CAT5 connector on each flush mounted CAT5 connection box supports flexible connection of 1 CR-CAT5206CH, which can be used independently and combined with other units.
- One flush mounted CAT5 connection box can support maximally 2 sets of function units, each set of units can realize discussion, voting, simultaneous interpretation, and speaker functions.
- Support signal indicator, provides connection error indication for easier system diagnosis.
- The chairman unit has prioritized function, and can shut off the speaking unit.
- Capacitive buttons: no mechanic button noise, water-proof, durable, and easy for cleaning.
- Embed CAT5 series units have the advantage of small body which makes it can be directly installed on seat armrest and can fix in with all kinds of meeting table.
- Super-compact designed CAT5 connection box: convenient for flush-mounted installation on both chair arms and desktop.
- The chairman Unit can initialize and terminate signing-in function.
- 31+1 channels simultaneous interpretation.
- Low power consumption: less than 1.5W power consumption for 2 sets of units to function normally.
- Support three vote modes:
  - A) voting: agree with / abstentions / against.
  - B) election / survey modes: 1/2/3/4/5.
  - C) response mode / review mode: --, -, 0, +, ++.

### Specifications

The parameter name	CR-CAT5202/04C1
Signal-to-noise ratio	>80dB
Total harmonic distortion	<0.05%
The microphone parameters	Cartridge type Sensitivity Frequency response Input impedance
	Capacitive heart type single direction -46dBV/pa 20Hz-20KHz 2.2K
Frequency response	20Hz-20KHz
Unit interface	CAT5 interface/2
Color	Black

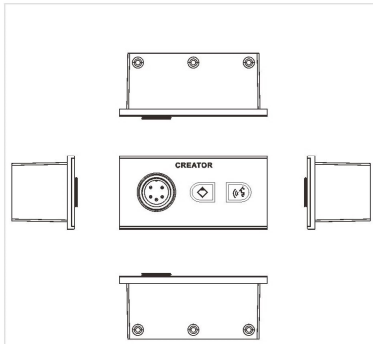
The parameter name	CR-CAT5202/04C2
Unit interface	CAT5 interface/2
Color	Black

The parameter name	CR-CAT5206CH
Frequency response	20Hz-20KHz
Signal-to-noise ratio	>80dB
Channel crosstalk	>80dB
Total harmonic distortion	<0.05%
Headphone output	Earphone load The earphone volume
	>8 ohm 10mW
Unit interface	CAT5 interface/1
Color	Black

The parameter name	CR-CAT5207SP
Maximum power dissipation	1W
Color	Black

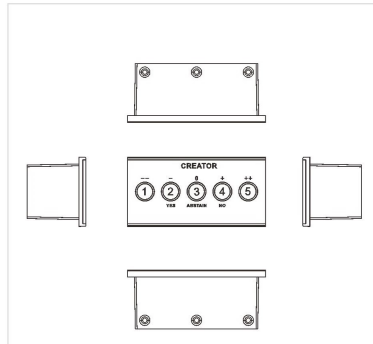
The parameter name	CR-CAT5BOX02/04
Power supply	The controller power supply
Interface type/Quantity	Input 1 piece of 1.5 meters 8-core aviation line
Color	output 1 piece of 8-core aviation hand, CAT5 interface/2, 3.5mm audio interface/2
Color	Dark grey
Maximum power dissipation	Less than 1.5w for 2 set units

Wireframe view



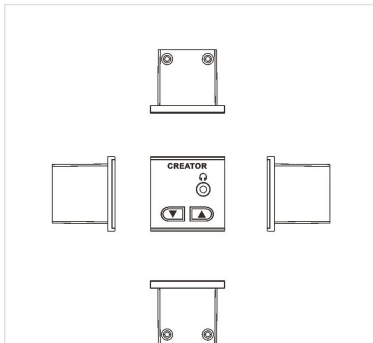
The appearance size of the product (mm): 80(L)x40(W)x34(H)  
 Desktop hole size (mm): 73(L)x33(W)

CR-CAT5202/04C1



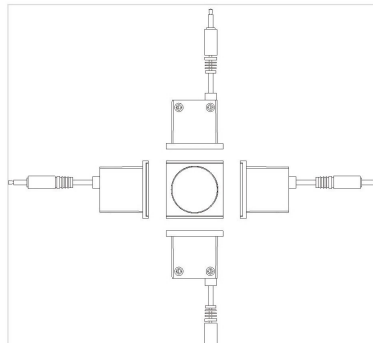
The appearance size of the product (mm): 80(L)x40(W)x34(H)  
 Desktop hole size (mm): 73(L)x33(W)

CR-CAT5202/C2



The appearance size of the product (mm): 40(L)x40(W)x34(H)  
 Desktop hole size (mm): 33(L)x33(W)

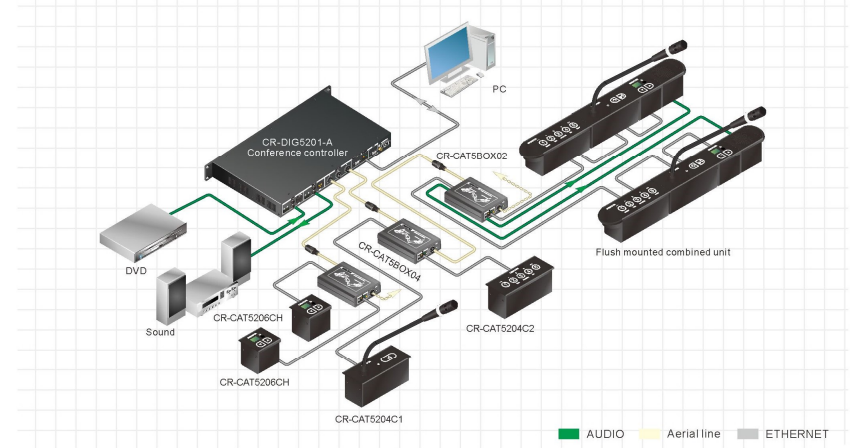
CR-CAT5206CH



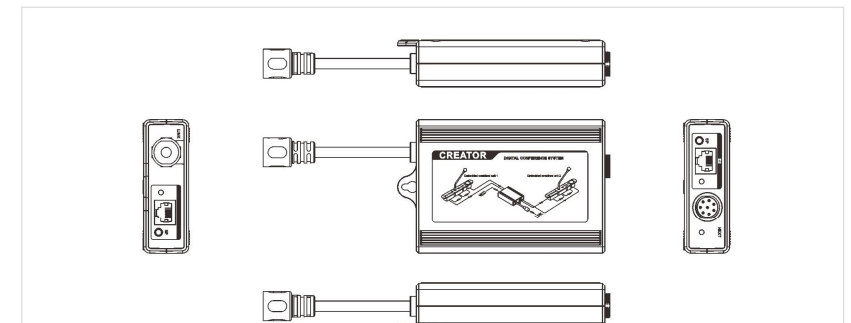
The appearance size of the product (mm): 40(L)x40(W)x34(H)  
 Desktop hole size (mm): 33(L)x33(W)

CR-CAT5207SP

System connection diagram



Wireframe view



The appearance size of the product (mm): 133(L)x86(W)x30(H)

CR-CAT5BOX02/04